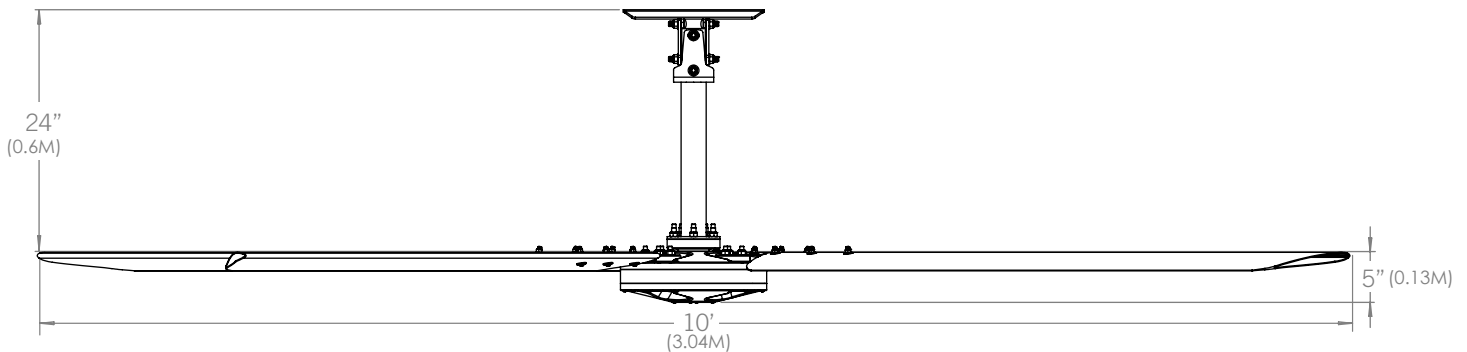


POWER & EFFICIENCY

INPUT POWER OPTIONS	AC 1PH 200-240V 50/60HZ		AC 3PH 200-240V 50/60HZ
CURRENT AT MAX SPEED (Amp)	3.8 A		2.0 A
POWER (hp)	5/8 HP		
MAXIMUM SPEED (RPM)	139 RPM		
MAX EFFECTED AREA	60 ft (18.28M) 3,600 sqft (334.45M2)		

DIMENSIONS & WEIGHT

FAN DIAMETER	10 ft (3m)
FAN WEIGHT	108lbs (49.1 kg)



MOUNTING & SAFETY

DOWNROD	2' (0.18M) Rigid Mount Downrod
SAFETY FEATURES	Fan Retention System Fire Relay

IN THE BOX

INCLUDED	Rigid Mount with Pre-Wired Downrod Control Panel Install Manual Airfoils Standard Control Mounting Hardware Kit Communication Kit
OPTIONAL	Additional Colors 3' (0.91M) and 4' (1.21M) Rigid Mount Downrod Additional Control Cable Lengths

WARRANTY & CERTIFICATIONS

CERTIFICATIONS	ETL/Intertek-certified to ANSI/UL 507 and CSA C22.2 No. 113 in North America INTERNATIONAL IEC 61800-3 AND CE
WARRANTY ¹	Limited Lifetime on Airfoils 2-Year Warranty

¹See complete warranty for details.